

## Double-Ended Beam Load Cell

### FEATURES

- Capacities: 25k to 125k lbs
- Environmental protection: IP67 (DIN 40.050)
- Material: Nickel-plated steel
- Certified to NTEP class III L, 10000 divisions
- **Optional**
  - FM approved for use in potentially explosive atmosphere



### APPLICATIONS

- Weighbridges
- Silos, tanks and hoppers

### DESCRIPTION

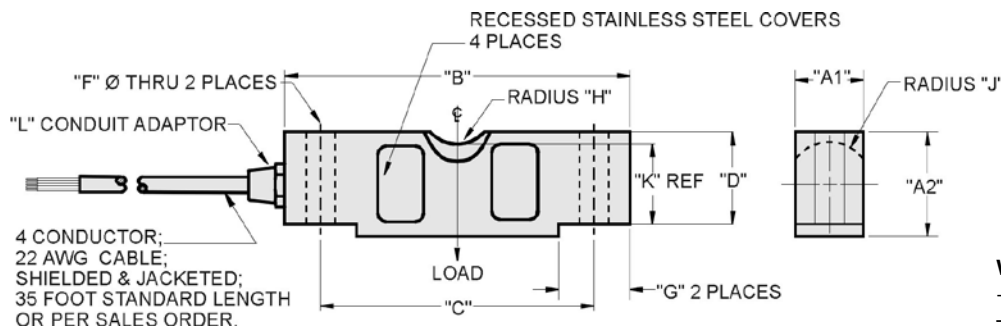
The 5303 is a link loaded mid to high capacity, nickel-plated alloy steel double-ended shear beam type load cell.

This product is designed for use in certified truck and rail scales and is available in capacities from 25k to 125k lbs.

This load cell is rated intrinsically safe by the FM system, making it suitable for use in potentially explosive atmospheres.

This load cell is certified for trade applications by American NTEP standards.

### OUTLINE DIMENSIONS in inches



#### Wiring

+Excitation	Red
-Excitation	Black
+Output	Green
-Output	White

CAPACITY	A <sub>1</sub>	A <sub>2</sub>	B	C	D	F	G	H	J	K	L
25k	1.69	1.94	7.75	6.50	1.70	0.68	1.38	0.75	0.90	1.63	1/4 - 18 NPT
40k	1.94	2.44	10.25	8.50	2.10	0.81	1.93	1.00	1.12	2.00	1/4 - 18 NPT
50k-75k	2.44	2.94	10.25	8.50	2.65	1.06	1.93	1.00	1.37	2.54	1/2 - 14 NPT
100k-125k	2.90	3.86	15.25	12.75	3.43	1.62	3.13	1.50	1.80	3.30	1/2 - 14 NPT

Capacities are in pounds

## Double-Ended Beam Load Cell

SPECIFICATIONS			
PARAMETER	VALUE		UNIT
Standard capacities (E <sub>max</sub> )	25k, 40k, 50k, 60k, 75k, 100k, 125k		lbs
Accuracy class according to NTEP	NTEP IIIIL	Non-Approved	
Maximum no. of verification intervals (n/c)	10000d		
Rated output (=S)	3.0		mV/V
Rated output tolerance	0.0075		±% mV/V
Zero balance	1.0		±% FSO
Combined error	0.0200	0.0500	±% FSO
Temperature effect on min minimum dead load output	0.0010	0.0250	±% FSO/5°C (°F)
Temperature effect on sensitivity	0.0008	0.0250	±% FSO/5°C (°F)
Compensated temperature range	-10 to +40 (+14 to 104)		°C (°F)
Operating temperature range	-18 to +65 (0 to +150)		°C (°F)
Safe load limit	150		% E <sub>max</sub>
Ultimate load	300		% E <sub>max</sub>
Safe side load limit	100		% E <sub>max</sub>
Excitation voltage recommended	10		V
Excitation voltage maximum	15		V
Input resistance	700±14		Ω
Output resistance	703±4		Ω
Insulation resistance	≥1000		MΩ
Environmental protection	IP67		
Element material	Nickel-plated steel		ASTM

### Mounting:

Correct mounting of the load cells is essential to ensure optimum accuracy and performance. Further information is available upon request.

FSO—Full Scale Output

All specifications subject to change without notice.